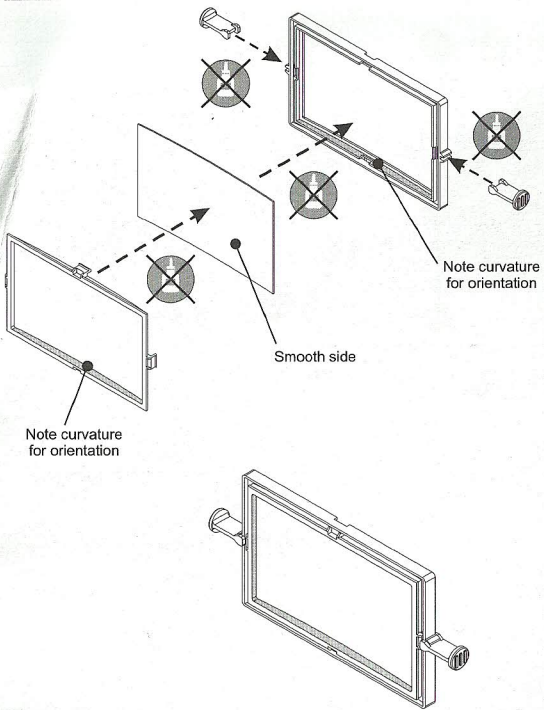
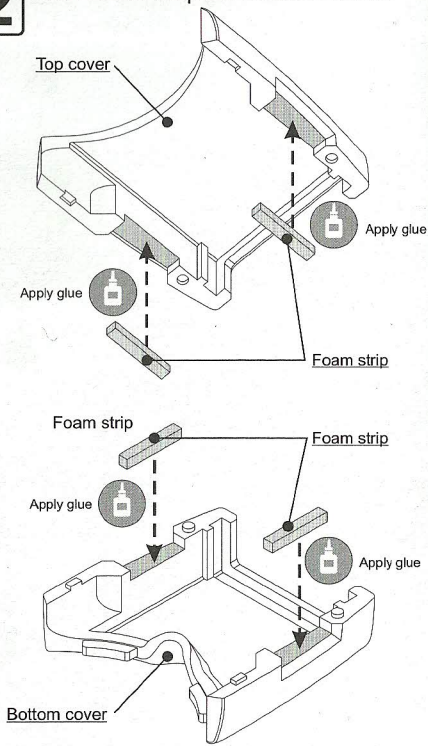


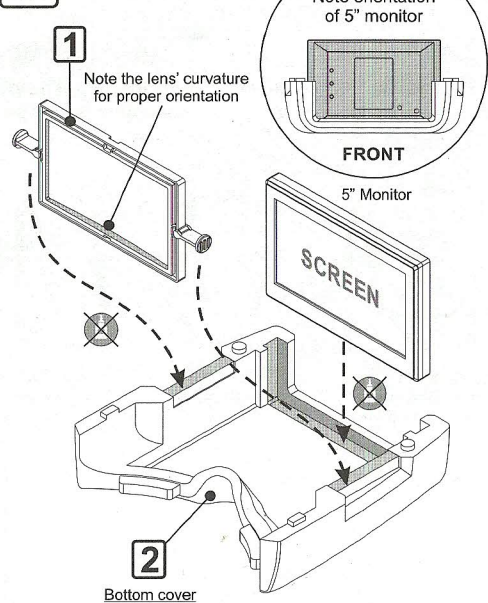
1 Assemble lens frame as shown.
No glue required



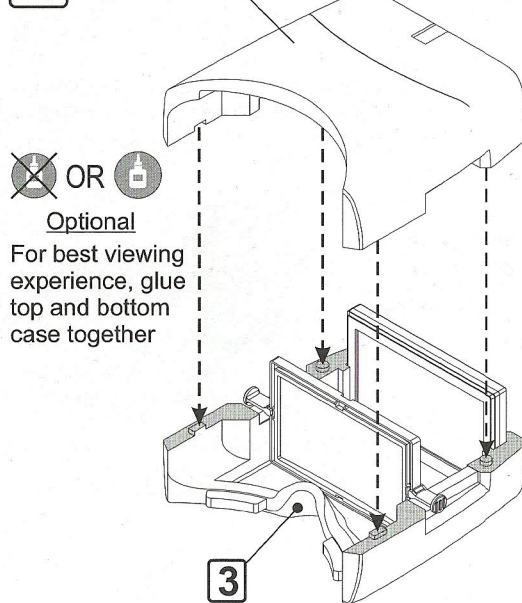
2 Glue foam strips to case as shown



3

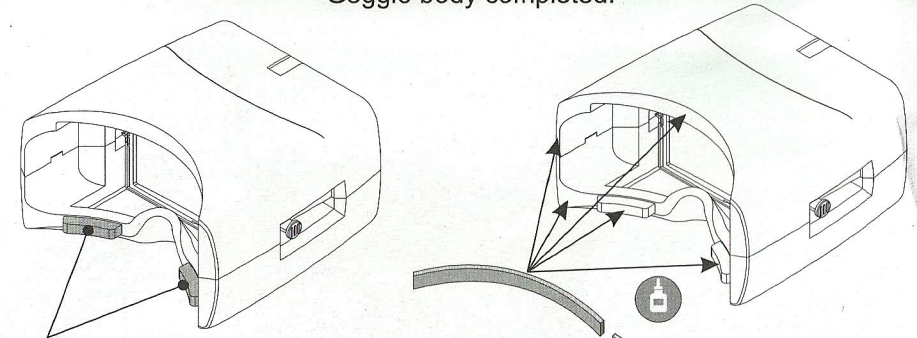


4



5

Goggle body completed!

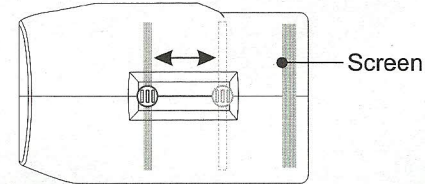


Everyone's face shape is different. If needed, you can trim these protrusions to fit your face better



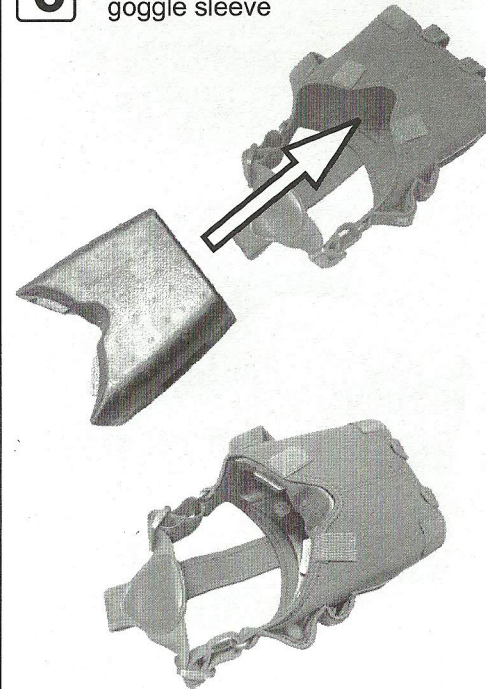
Use provided soft cushion strips, cut and glue onto goggle's edge per your comfort preference.

Lens focus adjustment



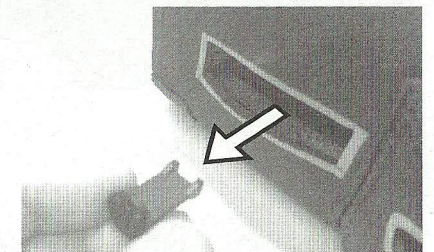
6

Putting on the multi-purpose goggle sleeve

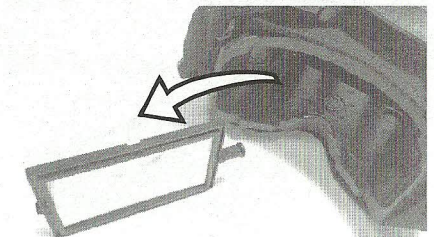


To replace or switch magnifying lens, follow below steps for quick result:

Pull out 1 of the lens frame handle



Lens frame can be removed from goggle easily



To put lens frame back
Reverse above steps

Setting up

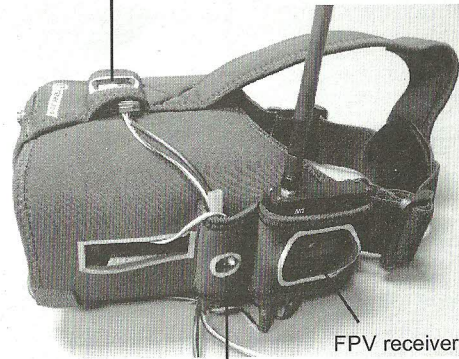
Below is one example of hardware placement:



Mini cam (your goggle's view)



Head tracker unit

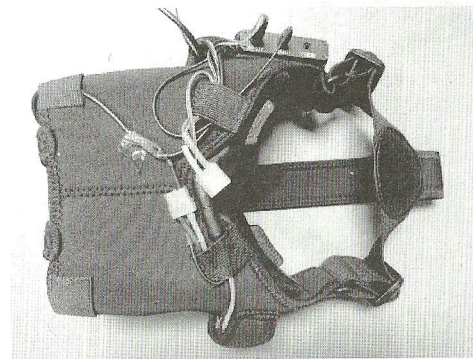


FPV receiver

Switcher
(switch between Goggle's view and FPV receiver)

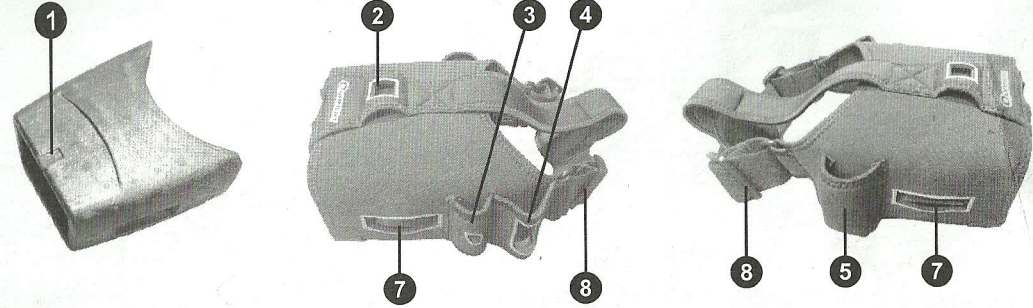


Lipo pack



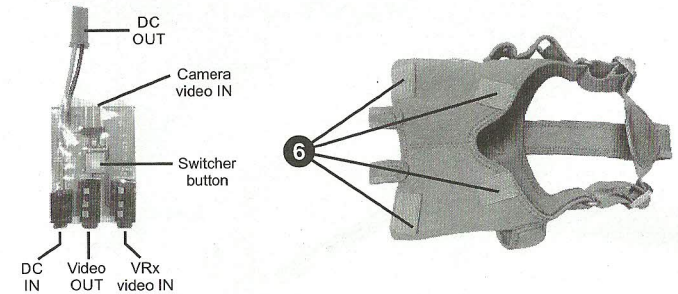
Use the elastic loops to manage wires of your choice

QUANTUM HD DIY FPV GOGGLE

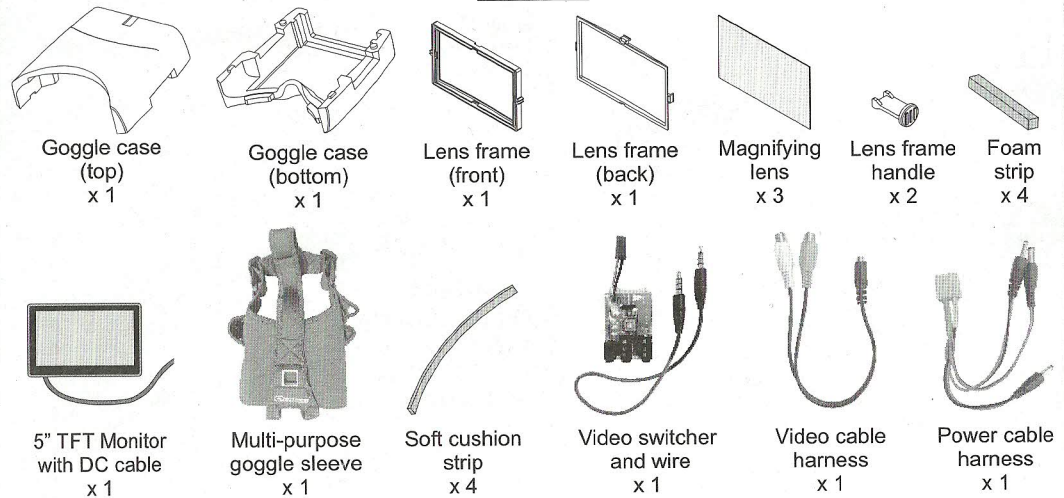


- 1 Mini camera slot
- 2 Head tracker slot
- 3 Video switcher slot
- 4 FPV receiver slot
- 5 Lipo pack slot
- 6 Elastic loop for wire management
- 7 Lens focus adjustment
- 8 Adjustable head strap

Video switcher



Parts List



Please note the following icons during assembly



Do not use glue



Apply glue



Cut or trim